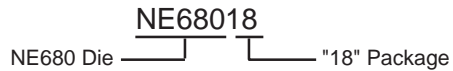


Package Dimensions

PART NUMBER DESCRIPTION

NEC part numbers are specified by die and package number.



PACKAGE MARKINGS

NEC devices are marked with various indications which indicate part type, lot code (year and month). Due to size constraints, some NEC devices will use color dots as indicators. The following information provides general guidelines for LOT CODE information. Additional information regarding specific device indicators are available on each package drawing.

LOT CODES

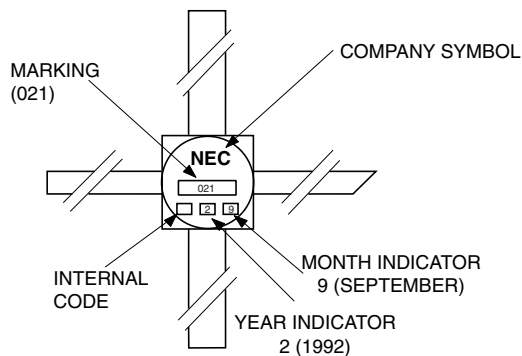
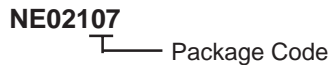
Lot codes can be designated by either numeric or color markings.

Numeric Markings:

- a. Year indicator: this is designated by the final number of the calendar year.
- b. Month indicator: the 1st through 9th months of the calendar year are represented by 1 - 9. Months 10, 11, and 12 are marked with X, Y, Z respectively.

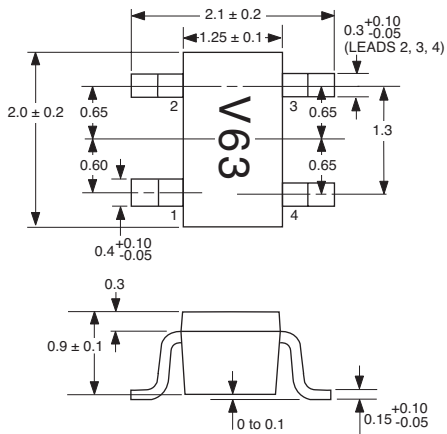
Color Markings:

Color	Year	Color	Month
Yellow	1989	Red	January and February
Red	1990	Green	March and April
Green	1991	Brown	May and June
Brown	1992	Black	July and August
Blue	1993	Yellow	September and October
Purple	1994	Blue	November and December
Orange	1995		



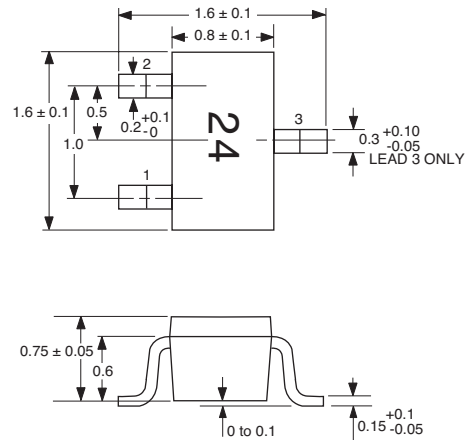
All dimensions are in millimeters, and typical unless otherwise specified. Drawings are not to scale.

18



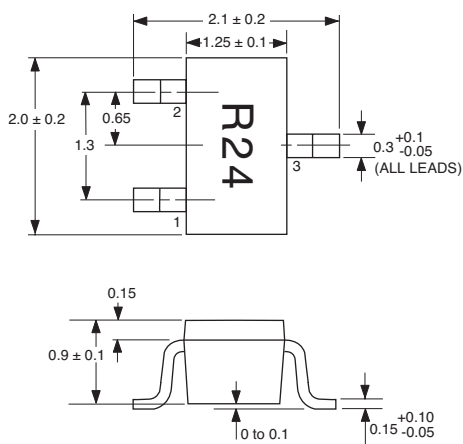
PART NUMBER	MARKING	PART NUMBER	MARKING
NE25118	U71, U72, U73, U74	NE68118	R36, R37, R38
NE34018	V63, V64	NE68518	T83
NE38018	V68	NE68618	T84
NE52418	V45	NE68718	T86
NE68018	R46, R47, R48	NE68818	T88
		NE85618	R26, R27, R2

19



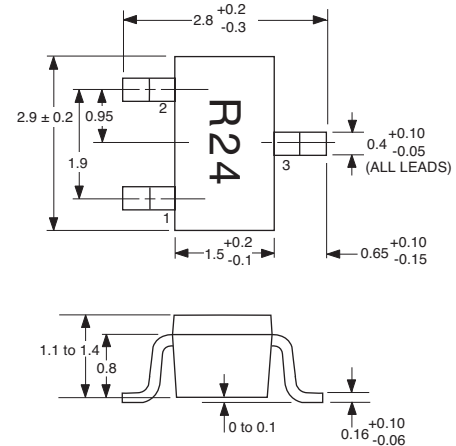
PART NUMBER	MARKING	PART NUMBER	MARKING
NE58219	77	NE68619	84
NE68019	44	NE68719	86
NE68119	34	NE68819	88
NE68519	83	NE85619	24

30



PART NUMBER	MARKING
NE68030	R43, R44, R45
NE68130	R33, R34, R35
NE68530	T83
NE68830	T88
NE85630	R23, R24, R25

33

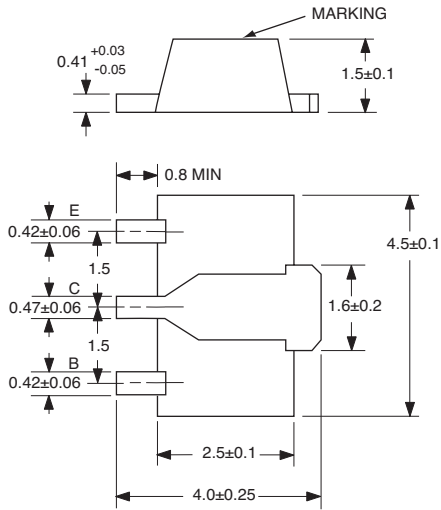


PART NUMBER	MARKING
NE68033	R42, R43, R44, R45
NE68133	R32, R33, R34, R35
NE68533	T83
NE68833	T88
NE85633	R22, R23, R24, R25
NE97733	T92
NE97833	T93

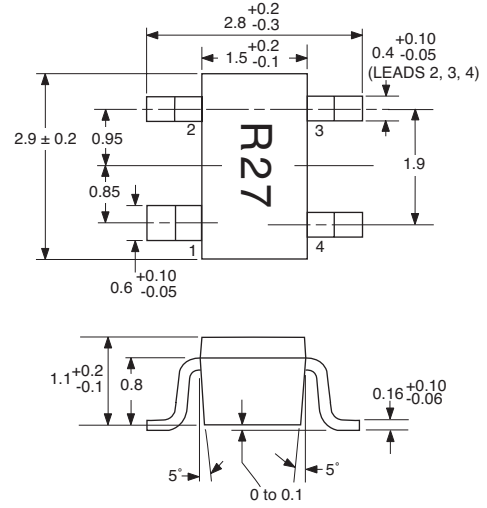
Packaging

All dimensions are in millimeters, and typical unless otherwise specified. Drawings are not to scale.

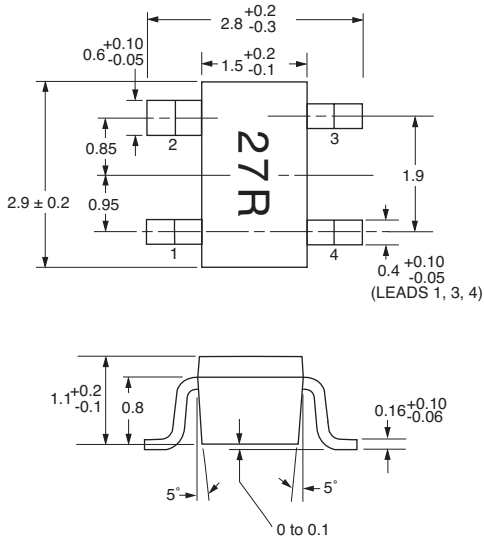
34



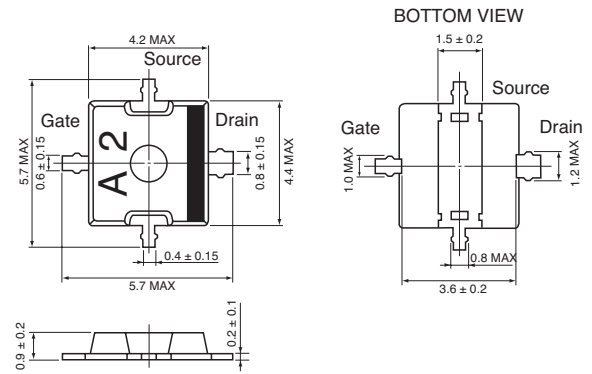
39



39R

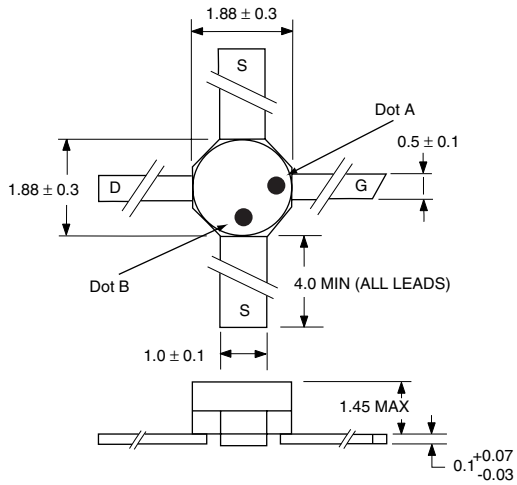


79A



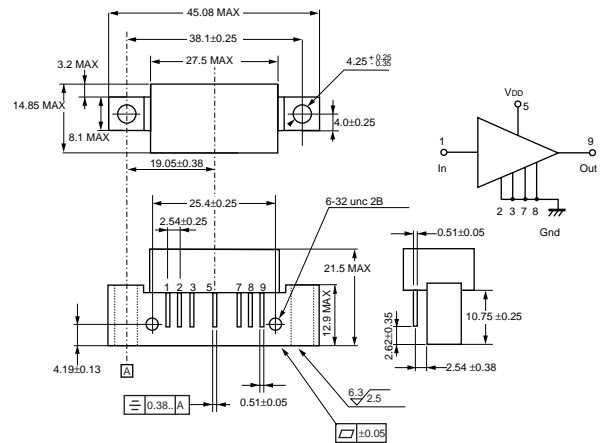
All dimensions are in millimeters, and typical unless otherwise specified. Drawings are not to scale.

83A/B



PART NUMBER	MARKING	
	DOT A	DOT B
NE67483B(L)	674	-
NE71383B	RED	BLUE

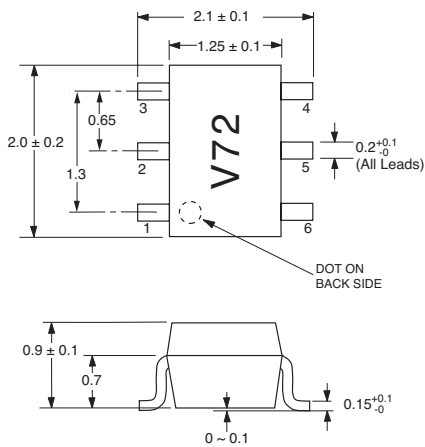
H02



PART NUMBER	MARKING
MC-7831	MC-7831
MC-7832	MC-7832
MC-7833	MC-7833
MC-7845	MC-7845
MC-7846	MC-7846
MC-7847	MC-7847

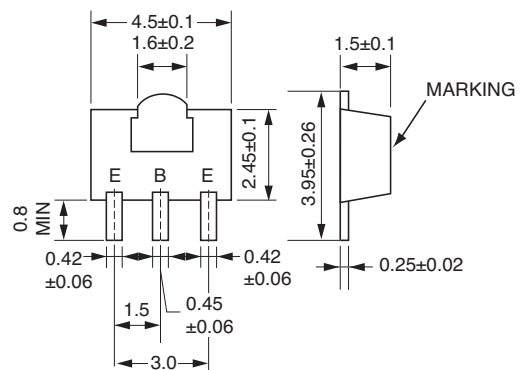
PART NUMBER	MARKING
MC-7866G	MC-7866G
MC-7881	MC-7881
MC-7882	MC-7882
MC-7883	MC-7883
MC-7884	MC-7884

M01



PART NUMBER	MARKING
NE429M01	V72

M02

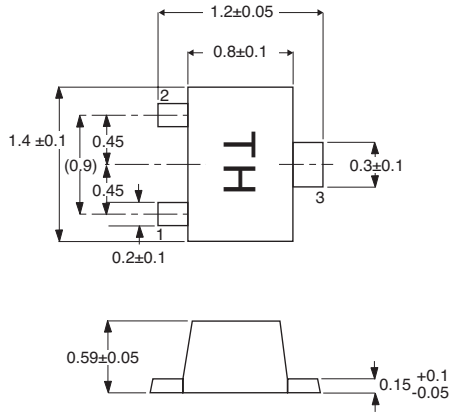


PART NUMBER	MARKING
NE461M02	QQ, QR, QS
NE856M02	RE, RF, RH

Packaging

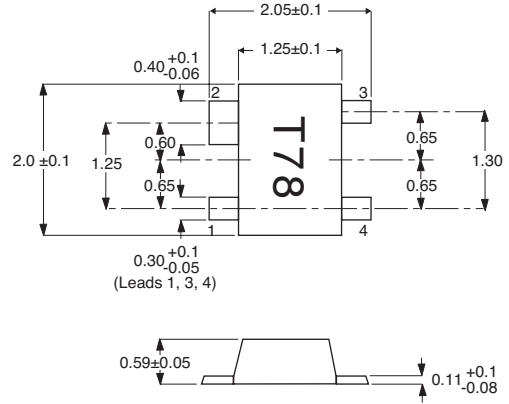
All dimensions are in millimeters, and typical unless otherwise specified. Drawings are not to scale.

M03



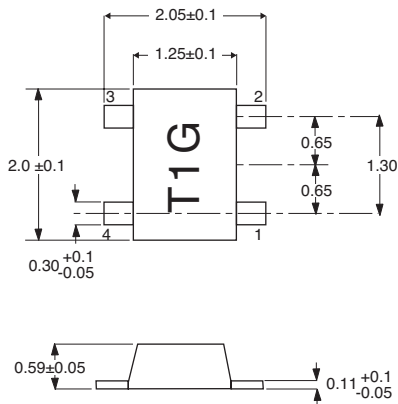
PART NUMBER	MARKING
NE680M03	TH
NE681M03	TE
NE685M03	TK
NE687M03	TN
NE688M03	TS
NE856M03	TC

M04



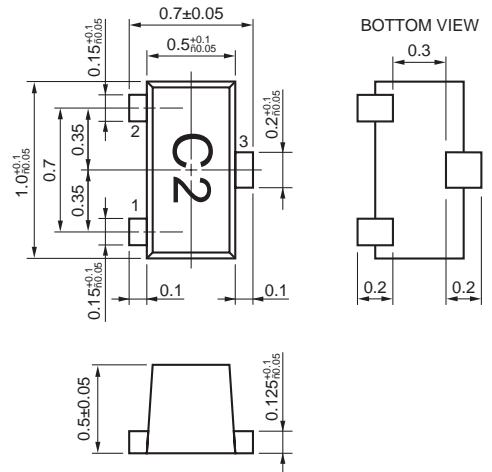
PART NUMBER	MARKING
NE661M04	T78
NE662M04	T79
NE663M04	T80
NE664M04	R57
NE677M04	R54
NE678M04	R55
NESG2030M04	T16

M05



PART NUMBER	MARKING
NESG2021M05	T1G
NESG2031M05	T1H
NESG2101M05	T1J

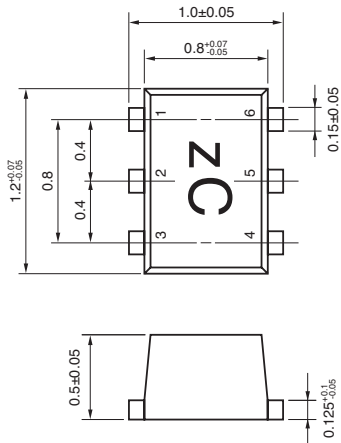
M13



PART NUMBER	MARKING	PART NUMBER	MARKING
NE681M13	D1, D2	NE851M13	E7
NE685M13	Y1, Y2	NE856M13	C1, C2
NE687M13	W1, W2	NE894M13	B7
NE688M13	T1, T2		

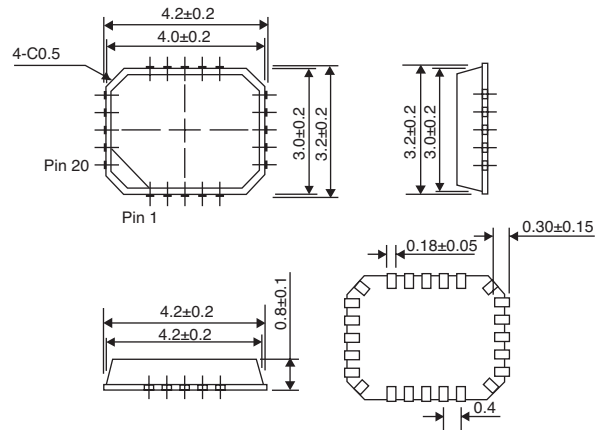
All dimensions are in millimeters, and typical unless otherwise specified. Drawings are not to scale.

M16



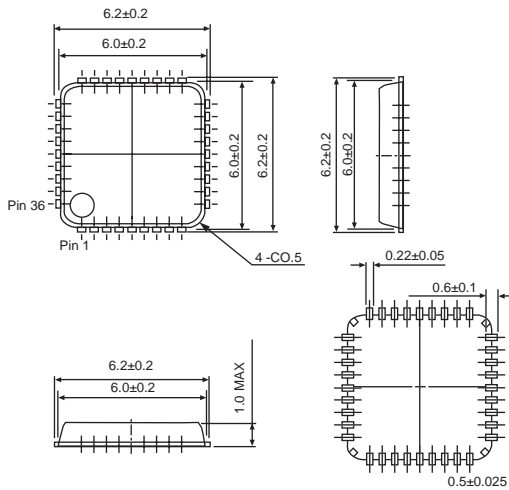
PART NUMBER	MARKING
NE662M16	zC

QFN 20 PIN



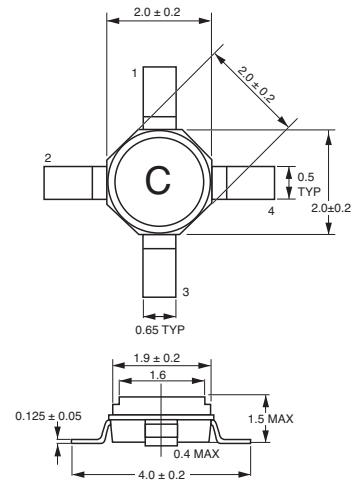
PART NUMBER	MARKING
UPC8190K	8190
UPC8191K	8191
UPC8194K	8194
UPC8195K	8195

QFN 36 PIN



PART NUMBER	MARKING
UPB1007K	B1007

S01

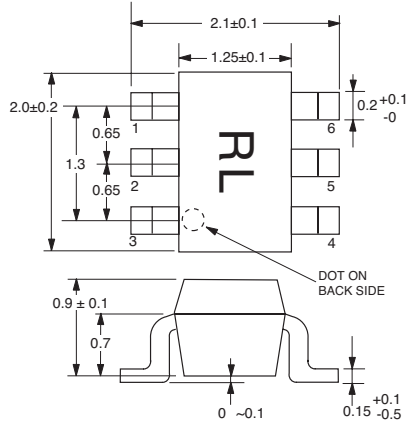


PART NUMBER	MARKING
NE334S01	C
NE434S01	E
NE722S01	P
NE3210S01	K
NE4210S01	L

Packaging

All dimensions are in millimeters, and typical unless otherwise specified. Drawings are not to scale.

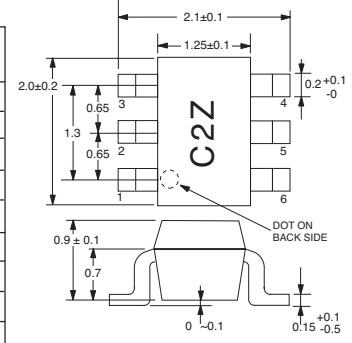
S06



PART NUMBER	MARKING	PART NUMBER	MARKING
UPA800T	RL	UPA809T	T88
UPA801T	R24, R25	UPA810T	24R, 25R
UPA802T	R34, R35	UPA811T	44R, 45R
UPA806T	T83	UPA812T	34R, 35R
UPA807T	T84	UPA814T	88T
UPA808T	T86		

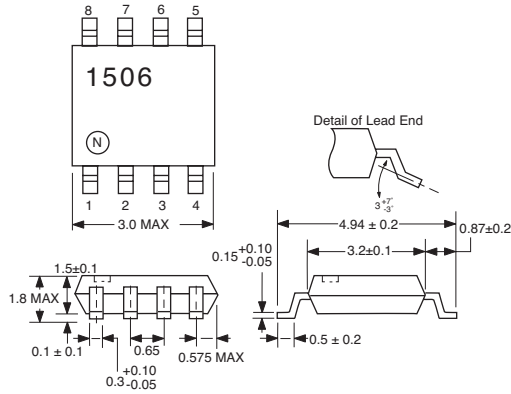
S06

PART NUMBER	MARKING
UPB1511TB	C2Z
UPC2708TB	C1D
UPC2709TB	C1E
UPC2710TB	C1F
UPC2711TB	C1G
UPC2712TB	C1H
UPC2745TB	C1Q
UPC2746TB	C1R
UPC2747TB	C1S
UPC2748TB	C1T
UPC2749TB	C1U



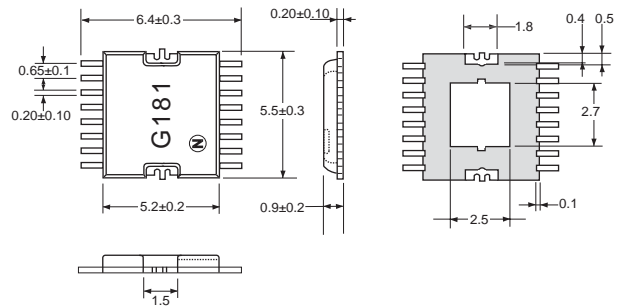
PART NUMBER	MARKING	PART NUMBER	MARKING
UPC2756TB	C1W	UPC8178TB	C3B
UPC2757TB	C1X	UPC8179TB	C3C
UPC2758TB	C1Y	UPC8181TB	C3E
UPC2762TB	C1Z	UPC8182TB	C3F
UPC2763TB	C2A	UPC8187TB	C3G
UPC2771TB	C2H	UPG153TB	G1J
UPC2776TB	C2L	UPG154TB	G1K
UPC3215TB	C3H	UPG155TB	G1L
UPC8106TB	C2D	UPG158TB	G1M
UPC8112TB	C2K	UPG2006TB	G2J
UPC8151TB	C2U	UPG2009TB	G2U
UPC8163TB	C2Y	UPG2106TB	G1V
UPC8172TB	C3A	UPG2110TB	G1Y

S08



PART NUMBER	MARKING	PART NUMBER	MARKING
UPB1506GV	1506	UPC1678GV	1678
UPB1507GV	1507	UPC1686GV	1686
UPB1508GV	1508	UPC2721GV	2721
UPB1509GV	1509	UPC3217GV	3217
UPB1510GV	1510	UPC3218GV	3218
UPC1663GV	1663	UPC3219GV	3219

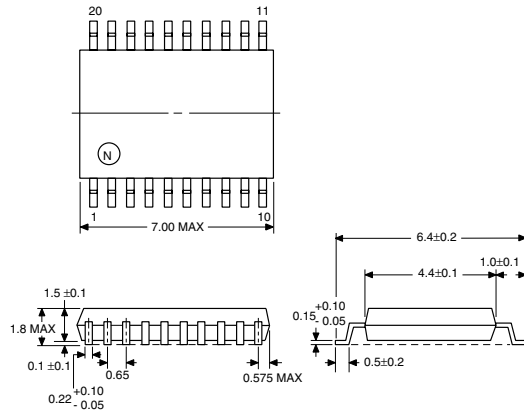
S16



PART NUMBER	MARKING
UPG181GR	G181
UPG183GR	G183

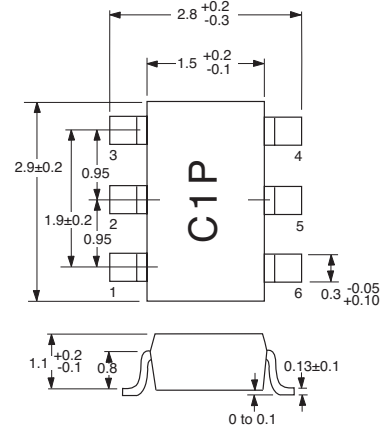
All dimensions are in millimeters, and typical unless otherwise specified. Drawings are not to scale.

S20



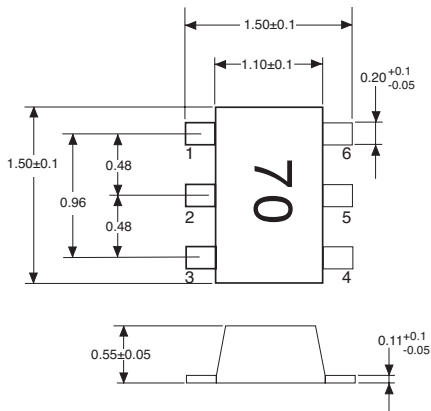
PART NUMBER	MARKING
UPC2798GR	C2798G
UPC3206GR	C3206G

T06



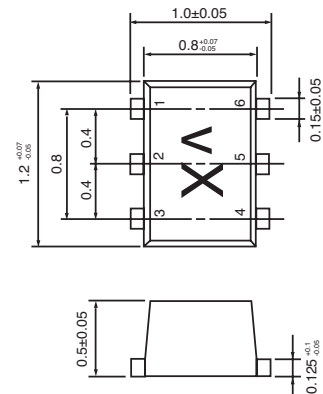
PART NUMBER	MARKING
UPC2726T	C1P
UPG152TA	G1B

TC



PART NUMBER	MARKING
UPA801TC	70
UPA808TC	3C
UPA821TC	81
UPA826TC	83
UPA831TC	24
UPA835TC	37
UPA836TC	47
UPA840TC	89

TD



PART NUMBER	MARKING
UPA861TD	vX
UPA862TD	vY
UPA895TD	kP

Packaging

All dimensions are in millimeters, and typical unless otherwise specified. Drawings are not to scale.

