

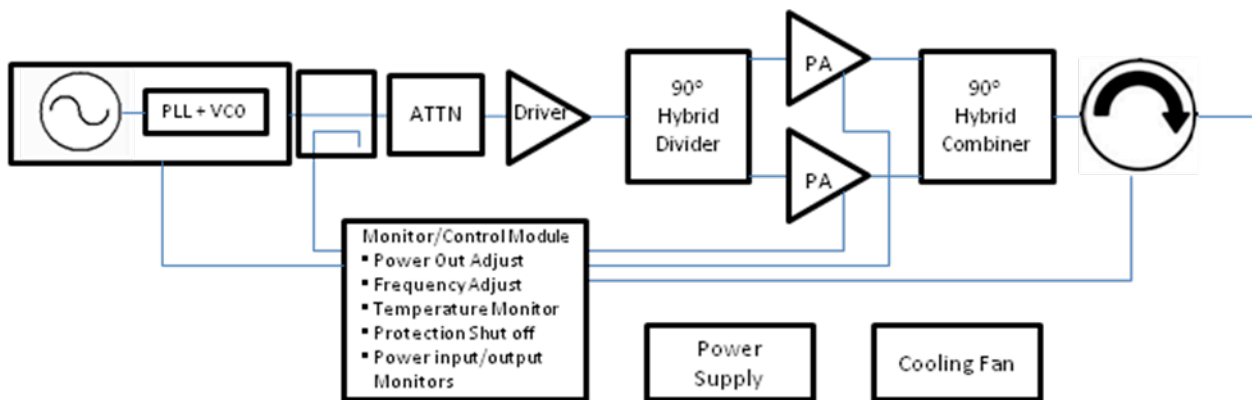
TOKYO KEIKI Solid State High Power Oscillators (SSPO™)

Description

TOKYO KEIKI offers **customized** ISM Band RF and Microwave Solid State Power Oscillators, **also known as Microwave Generators**, which integrate VCOs with High Power Amplifiers. Peripheral functions including Power Supplies, Power Monitoring, Safety Alarms, etc... may be included.

Applications:

- Plasma Instrumentation
- Microwave Heating
- Medical Diathermy



Generic SSPO™ Block Diagram

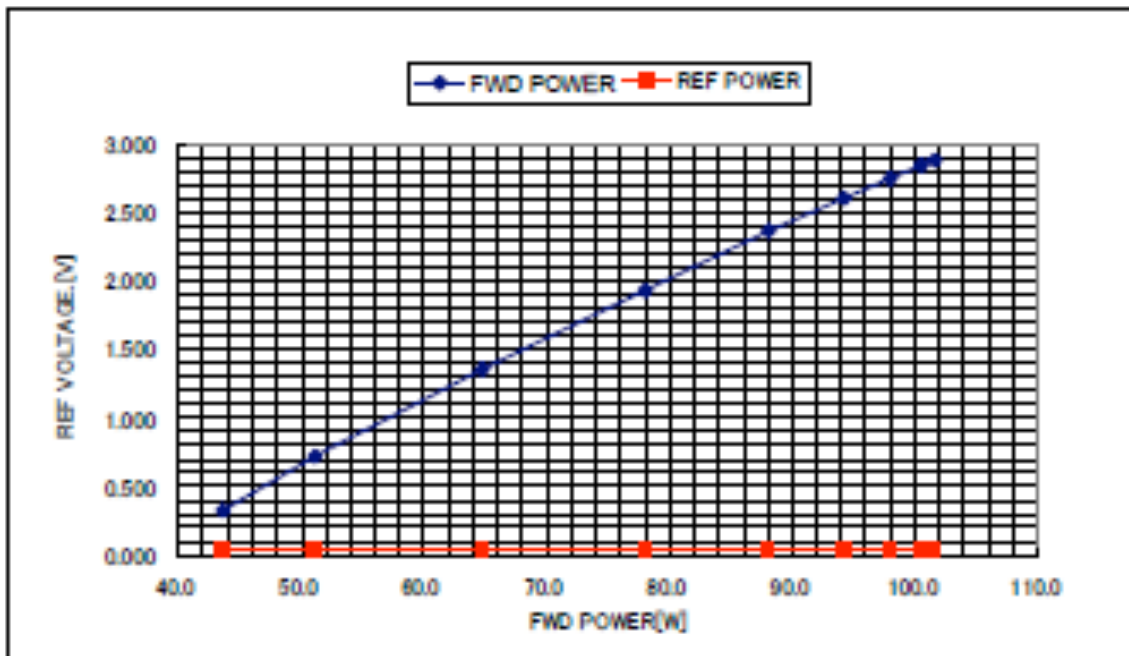
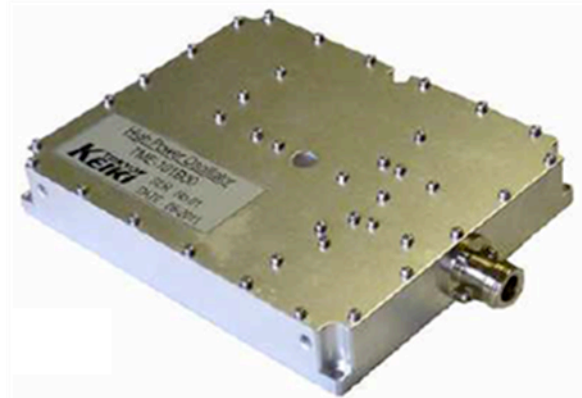
TOKYO KEIKI Solid State High Power Oscillators (SSPO™)

2.45GHz SSPO Example #1:

Part Number: TME-101B00

Features:

- Built-in VCO
- Adjustable Frequency: 2450MHz +/-10MHz
- Adjustable Power Output: 1 - 100W
- Efficiency: 40% (at 100W)
- Input Power: +28Vdc
- Small Size: 120mm x 147mm x 23mm
- Light Weight: 820g



Output Power vs. Reference Control Voltage

TOKYO KEIKI Solid State High Power Oscillators (SSPO™)

2.45GHz SSPO Example #2:

Features:

- Built in Synthesized VCO with Adjustable Frequency range of 2400MHz to 2500MHz
- Adjustable Output Power from 1W to 1700W at CW
- Gain of 62dB typ.(0dBm input)
- Built in Power Supply for Power input of 200Vac (50/60Hz) at 30A max.
- Air cooling fan
- Various Protections, Alarms, and Monitors
- 19 inch rack enclosure (550mm (H) x 520mm (W) x 600mm(D))

